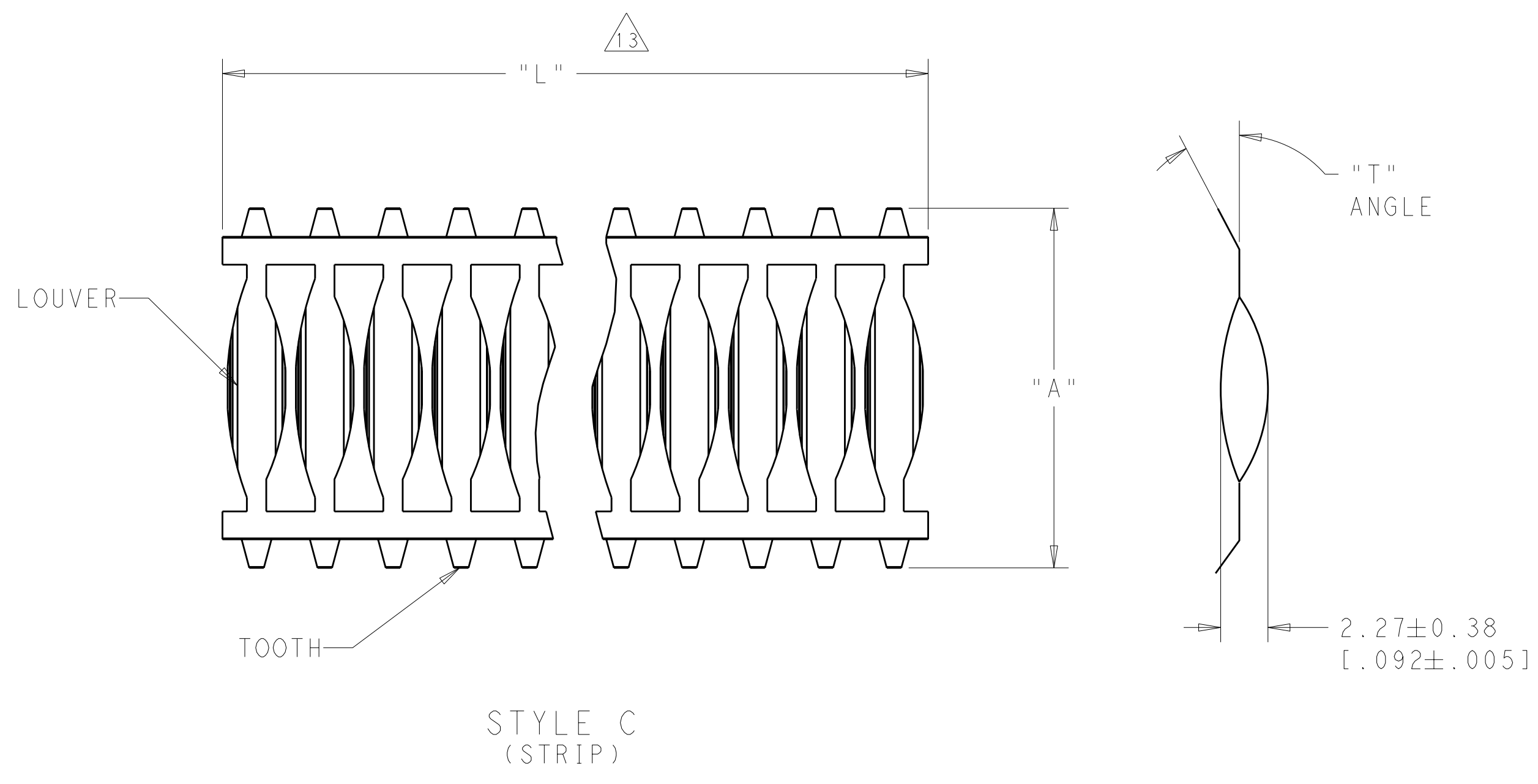
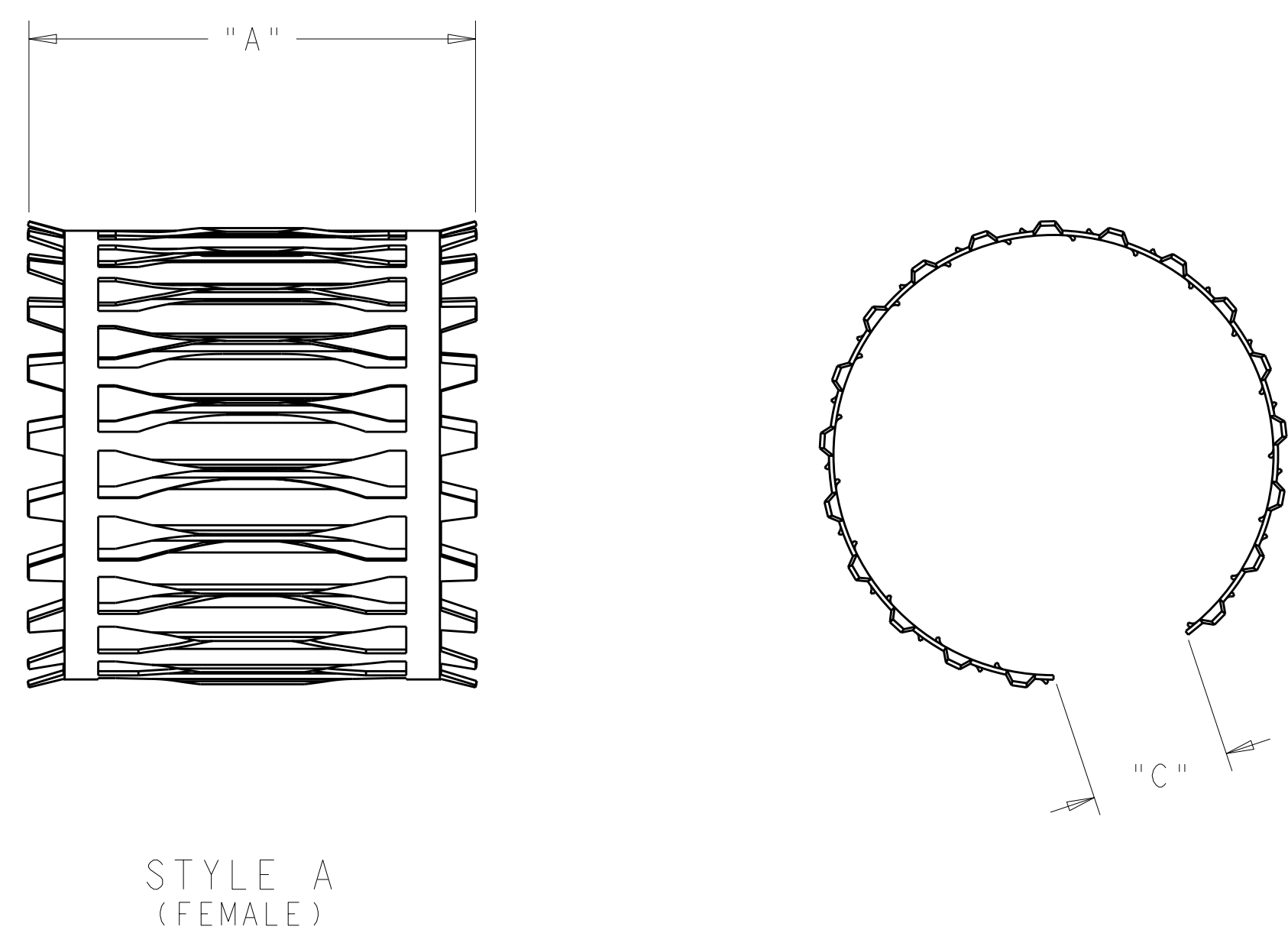


LOC	DIST	REV	DATE	BY	APPD
GP	00	L	15SEP2010	RG	DO
		REVISIONS			
		DESCRIPTION	DATE	BY	APPD
		REV PER ECO-10-018478	15SEP2010	RG	DO



1. FINISH - SILVER PLATE 500μINCHES MIN THK.
2. FINISH - NICKEL PLATE 40μINCHES MIN THK
3. FINISH - GOLD PLATE 10μINCHES MIN THK.
4. LENGTH TO BE 7.6 INCHES
5. LENGTH TO BE 10.8 INCHES
6. PLATING NOTES ARE TO BE INTERPRETED AS FOLLOWS: 1-2 AS 1 OVER 2.
7. PRODUCT SOLD BY THE FOOT.
8. LENGTH 9.2 INCHES
9. LENGTH 8.0 INCHES
10. LENGTH 11.9 INCHES
11. PACKAGED 18 PCS PER BAG
12. DIMENSION "C" TO BE 6.0 INCHES MIN
13. PITCH: FIVE (5) LOUVERS PER INCH (NOMINAL)
14. LENGTH 5.438 INCHES REF 28 LOUVERS
15. FINISH - SILVER PLATE 200μINCHES MIN THK.
16. PRELIMINARY PART NUMBER
17. OBSOLETE PARTS: OBSOLETE CIS STREAMLINING PER D.RENAUD/D.SINISI
18. LENGTH 12.0 INCHES REFERENCE 62 LOUVERS
19. SPECIAL PACKAGING



STYLE	WIDTH A	NUMBER OF LOUVER	PLATING (NOTE NO)	TOOTH ANGLE	MAT'L THK	HUGIN PN	PART NUMBER
	25.91 [1.02]	1-2	15	0.15 [0.008]	--	2-192000-3	
	25.91 [1.02]	17-2	15	0.25 [0.010]	--	2-192000-2	
	25.02 [0.98]	UNPLATED	45	0.25 [0.010]	--	2-192000-1	
	25.02 [0.98]	UNPLATED	45	0.25 [0.010]	--	2-192000-0	
	25.02 [0.98]	1-2	45	0.25 [0.010]	--	1-192000-9	
	25.02 [0.98]	UNPLATED	45	0.25 [0.010]	--	1-192000-8	
	25.02 [0.98]	1-2	45	0.25 [0.010]	--	1-192000-7	
	25.02 [0.98]	1-2	45	0.25 [0.010]	--	1-192000-6	
	25.02 [0.98]	UNPLATED	45	0.25 [0.010]	--	1-192000-5	
	25.02 [0.98]	UNPLATED	45	0.25 [0.010]	--	1-192000-4	
						1-192000-3	
						1-192000-2	
	25.02 [0.98]	1-2	45	0.25 [0.010]	00009	1-192000-1	
	25.02 [0.98]	UNPLATED	45	0.25 [0.010]	00012	1-192000-0	
	25.91 [1.02]	1-2	15	0.25 [0.010]	00006	192000-9	
	25.91 [1.02]	UNPLATED	15	0.25 [0.010]	00015	192000-8	
						192000-7	
						192000-6	
	25.02 [0.98]	1-2	45	0.15 [0.006]	00018	192000-5	
	25.02 [0.98]	UNPLATED	45	0.15 [0.006]	00017	192000-4	
	25.91 [1.02]	3-2	15	0.15 [0.006]	00021	192000-3	
	25.91 [1.02]	1-2	15	0.15 [0.006]	00002	192000-2	
	25.91 [1.02]	UNPLATED	15	0.15 [0.006]	00001	192000-1	